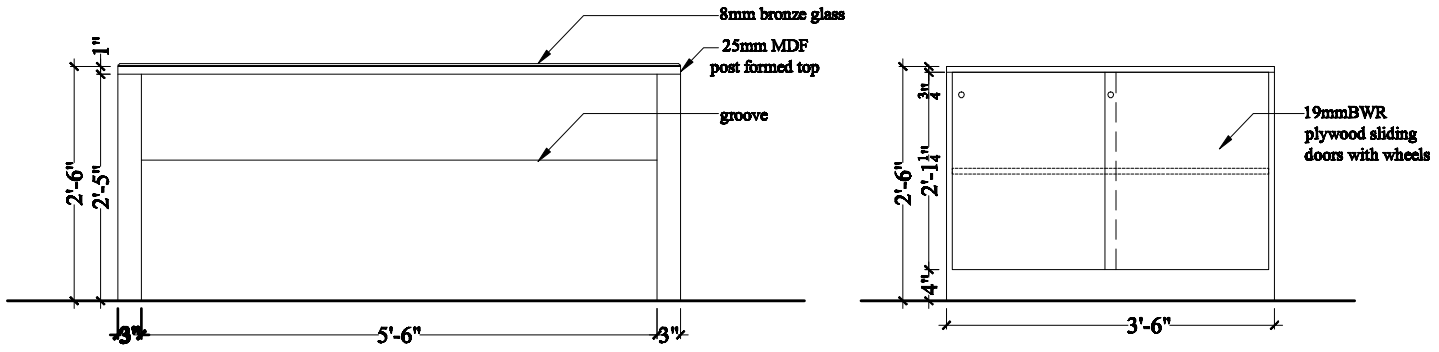


CROSS SECTION OF TABLE

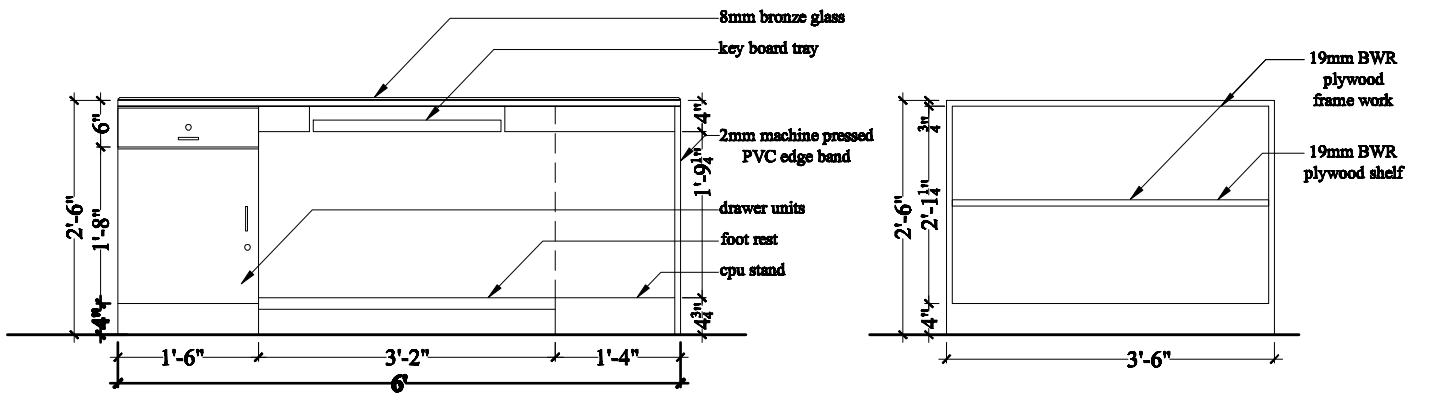
SIDE ELEVATION

CROSS SECTION OF SIDE UNIT



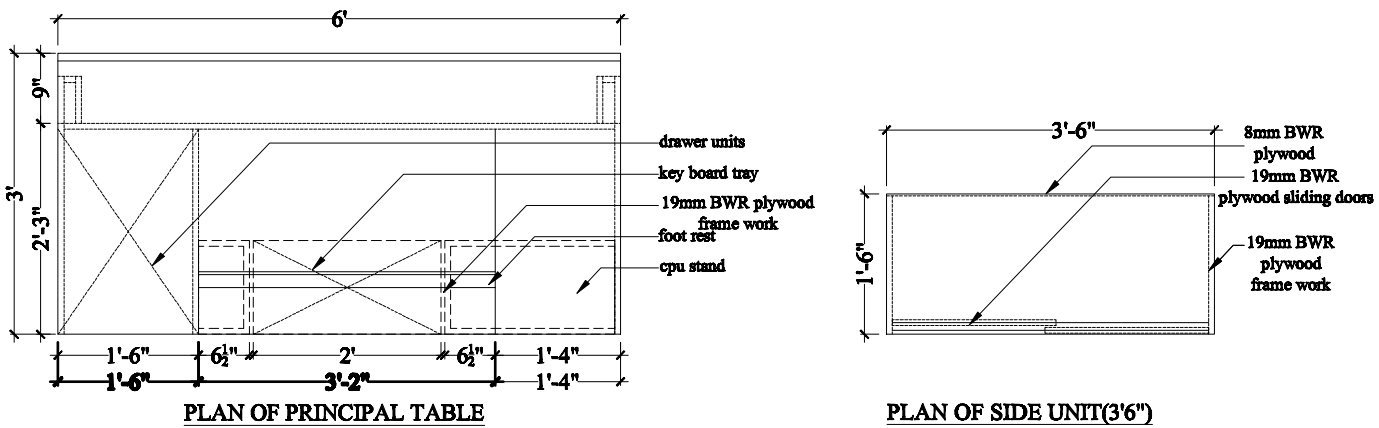
FRONT ELEVATION

FRONT ELEVATION



INNER ELEVATION

INNER ELEVATION



PLAN OF PRINCIPAL TABLE

PLAN OF SIDE UNIT(3'6")

NOTE:
THIS DRAWING OR DESIGN IS COPYRIGHT. IT IS THE PROPERTY OF THE ARCHITECTS OR DESIGNERS AND IS NOT TO BE REPRODUCED, COPIED OR HANDED OVER TO A THIRD PARTY OR USED FOR ANY PURPOSE OTHER THAN THAT FOR WHICH IT HAS BEEN ACTUALLY LOANED. READ THE DRAWING, DO NOT MEASURE IT. INFORM THE ARCHITECTS OR DESIGNERS OF ANY DISCREPANCIES IN THE DRAWING IMMEDIATELY.

PROPOSED INTERIOR DESIGN TO CREATING
TRAINING CENTRE FOR ORIENTAL INSURANCE
COMPANY AT TEYNAMPET CHENNAI

TITLE:-
PRINCIPAL TABLE
& SIDE UNIT
DETAIL

SCALE : 1" = 20"
DATE : 20-05-2017
DRN BY:
DRG NO: TENDER-4
JOB NO:
CHK BY: R.KANNAN

FOARCONS
FORUM ARCHITECTURAL CONSULTANTS
GANGA FLATS, 3/2 - NAKKIRAR STREET,
WEST MAMBALAM, CHENNAI - 600 033.
PH: 32522748, 24812179, FAX 24812182.