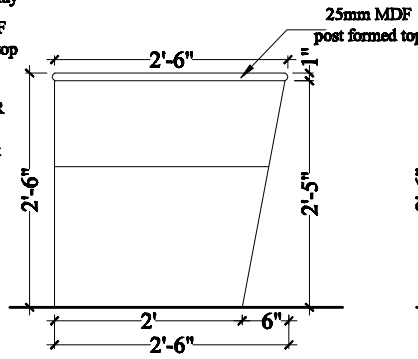
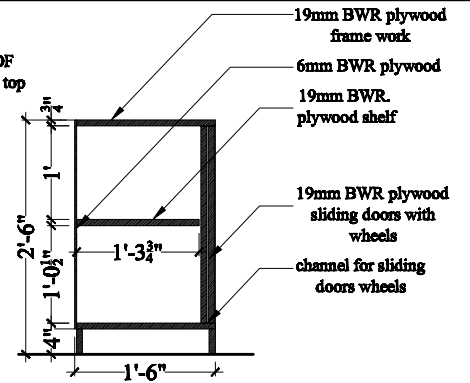


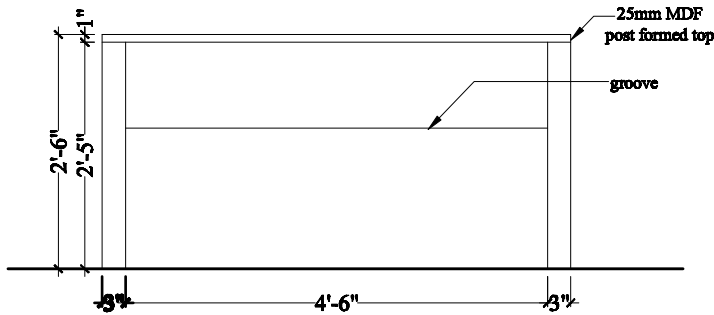
CROSS SECTION



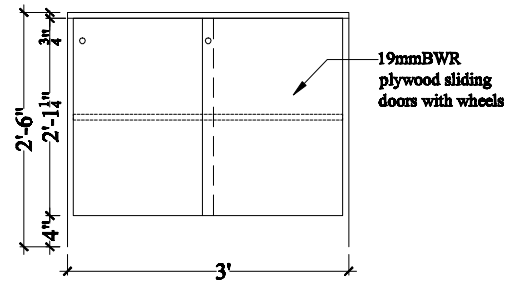
SIDE ELEVATION



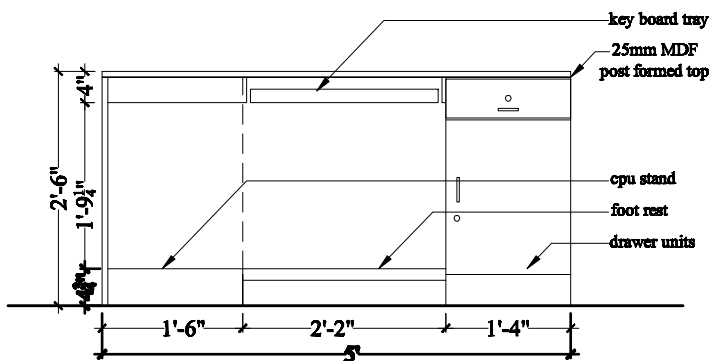
CROSS SECTION OF SIDE UNIT



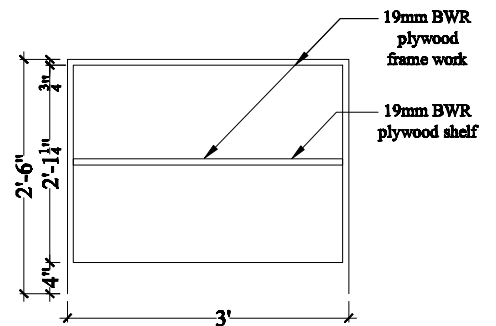
FRONT ELEVATION



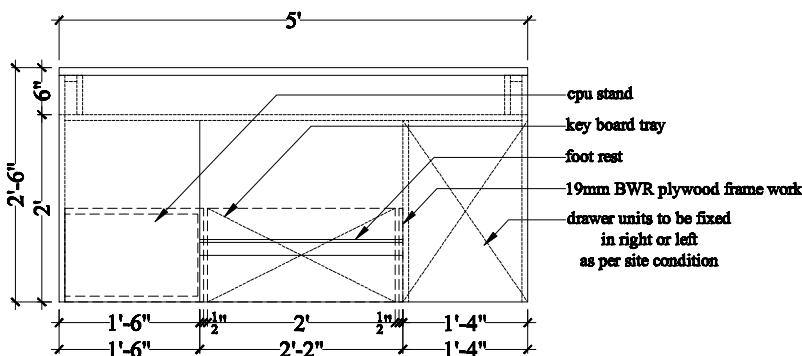
FRONT ELEVATION



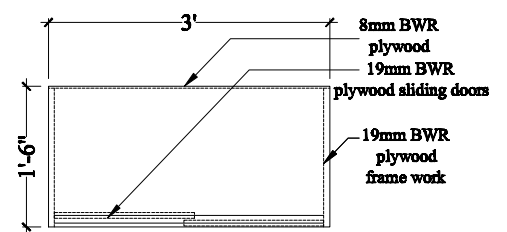
INNER ELEVATION



INNER ELEVATION



PLAN OF STAFF/FACULTY'S TABLE



PLAN OF SIDE UNITS (3'0")

NOTE:
THIS DRAWING OR DESIGN IS COPYRIGHT. IT IS THE PROPERTY OF THE ARCHITECTS OR DESIGNERS AND IS NOT TO BE REPRODUCED, COPIED OR HANDED OVER TO A THIRD PARTY OR USED FOR ANY PURPOSE OTHER THAN THAT FOR WHICH IT HAS BEEN ACTUALLY LOANED. READ THE DRAWING, DO NOT MEASURE IT. INFORM THE ARCHITECTS OR DESIGNERS OF ANY DISCREPANCIES IN THE DRAWING IMMEDIATELY.

**PROPOSED INTERIOR DESIGN TO CREATING
TRAINING CENTRE FOR ORIENTAL INSURANCE
COMPANY AT TEYNAMPET CHENNAI**

**TITLE:-
STAFF/FACULTY
TABLE & SIDE UNIT
DETAIL**

SCALE : 1" = 20"
DATE : 20-05-2017
DRN BY:
DRG NO: TENDER-5
JOB NO:
CHK BY: R.KANNAN

FOARCONS
FORUM ARCHITECTURAL CONSULTANTS
GANGA FLATS, 3/2 - NAKKIRAR STREET,
WEST MAMBALAM, CHENNAI - 600 033.
PH: 32522748, 24812179, FAX 24812182.